

ASSEMBLY INSTRUCTION CHILDREN LADDER BACK CHAIR

Lippert

International Inc.

235 Washington Street, Wallingford, CT 06492

Tel. (800)-243-3129

SLIDE EACH BRACKET IN THE BOTTOM OF THE SEAT (A) INTO RIGHT SIDE PIECE (B) WITH SCREWS (F) USING ALLEN WRENCH (H).

REPEAT ABOVE STEPS WITH THE LEFT SIDE SEAT (C).

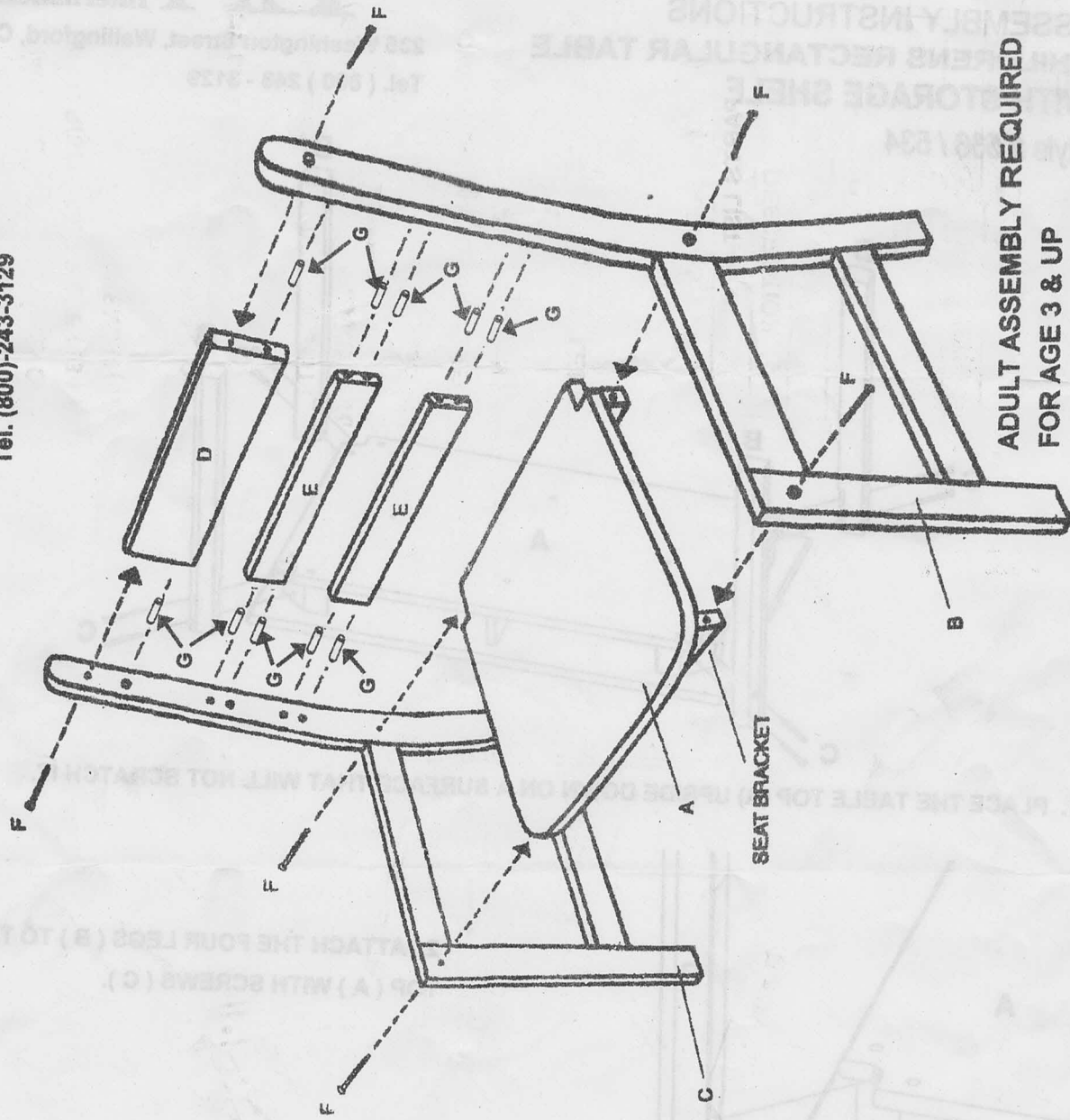
ATTACH TOP BRACKET (D) TO RIGHT SIDE OF CHAIR (B) WITH WOOD DOWEL AND SCREWS (G) USING ALLEN WRENCH (H).

ATTACH MIDDLE BRACKETS (E) TO RIGHT SIDE OF CHAIR (B) AS SHOWN.

REPEAT ABOVE STEPS WITH THE LEFT SIDE SEAT (C).

TIGHTEN ALL THE SCREWS.

PARTS LIST	
NO	DESCRIPTION
A	SEAT
B	RIGHT SIDE PIECE
C	LEFT SIDE PIECE
D	TOP BRACKET
E	MIDDLE BRACKETS
F	SCREWS
G	WOOD DOWEL
H	ALLEN WRENCH



ADULT ASSEMBLY REQUIRED
FOR AGE 3 & UP
MADE IN THAILAND

**ASSEMBLY INSTRUCTIONS
CHILDRENS RECTANGULAR TABLE
WITH STORAGE SHELF**

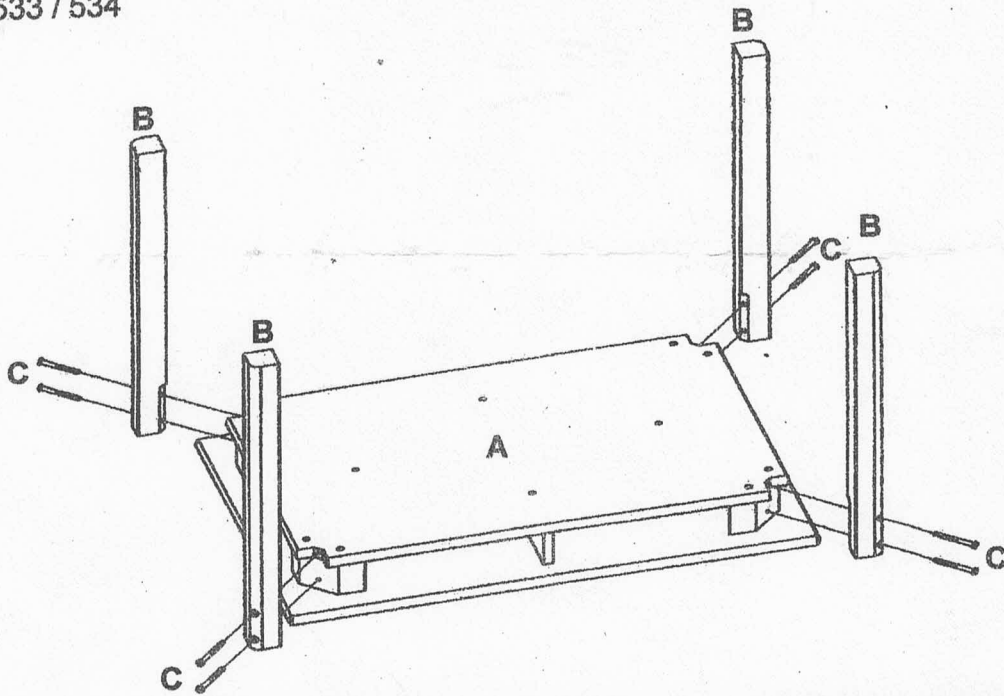
Style # 533 / 534

Lipper

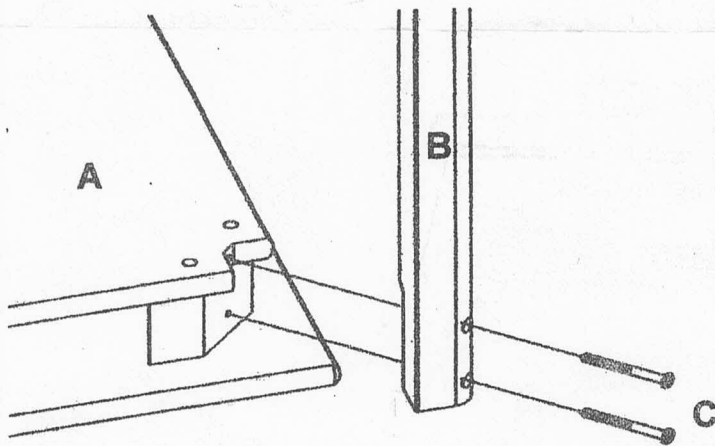
International Inc.

235 Washington Street, Wallingford, CT 06492

Tel. (800) 243 - 3129

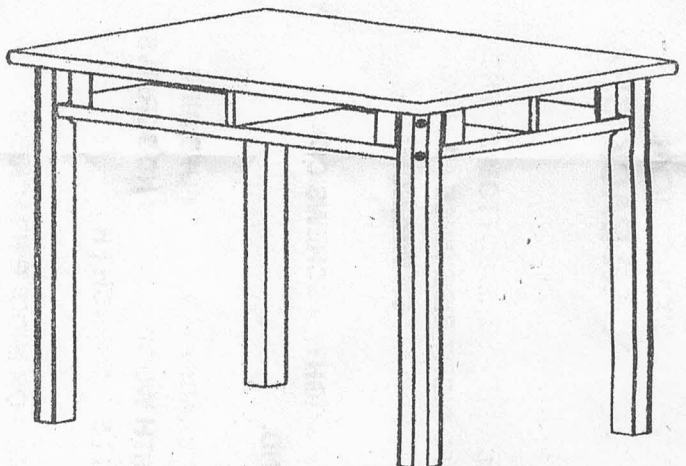


1. PLACE THE TABLE TOP (A) UPSIDE DOWN ON A SURFACE THAT WILL NOT SCRATCH IT.



2. ATTACH THE FOUR LEGS (B) TO THE TABLE TOP (A) WITH SCREWS (C).

3. PLACE THE ASSEMBLED TABLE UPRIGHT.



PART LIST		
QTY	NO.	DESCRIPTION
1	A	TABLE TOP
4	B	LEGS
8	C	SCREWS

**ADULT ASSEMBLY REQUIRED
FOR AGE 3 & UP**