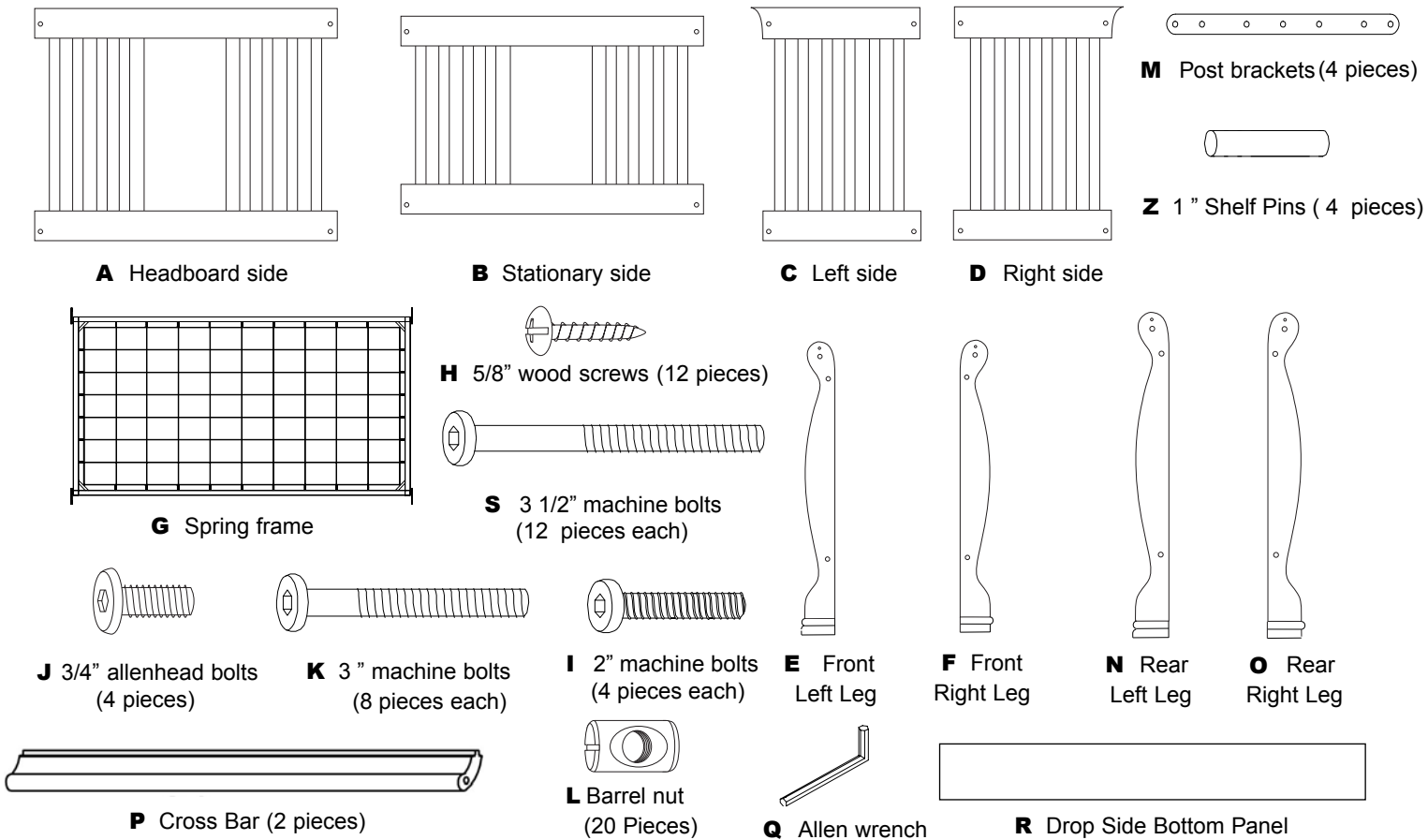
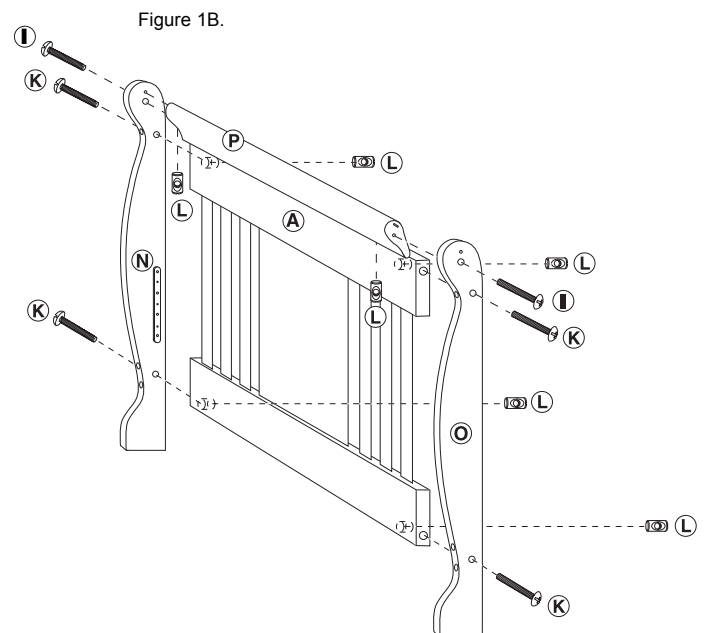
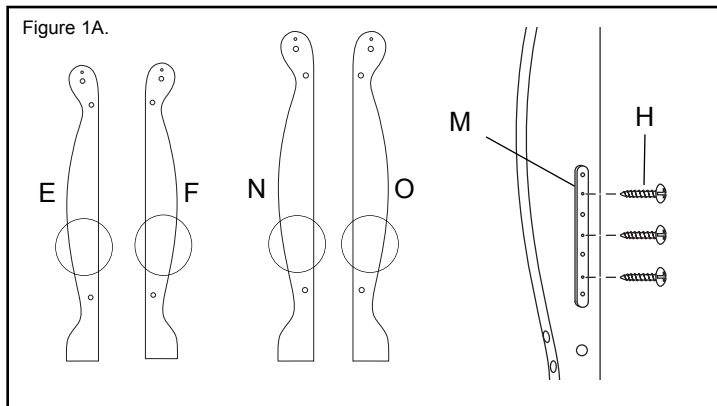


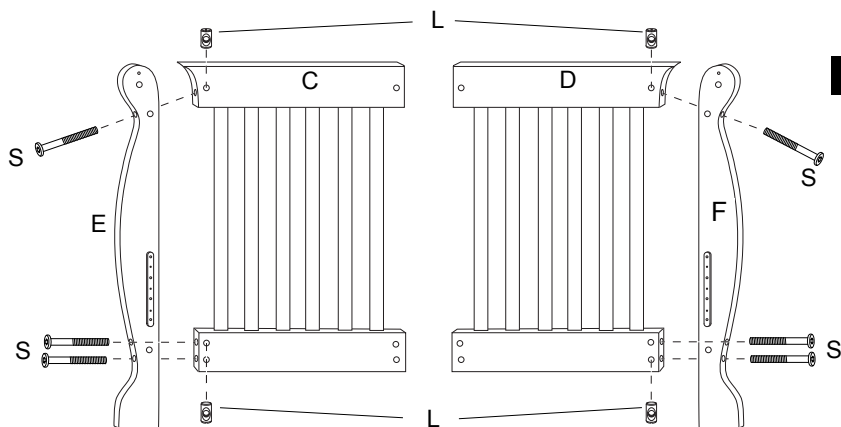
This crib will provide many years of service if you adhere to the following guidelines for assembly, maintenance and operation. Do not use power screw drivers. All screw holes have been pre-drilled or have metal inserts. Be sure to tighten all screws firmly. All of our cribs are made from natural hardwoods. Please understand that natural woods have color variations which are the result of nature and are not defects in workmanship. **Do not substitute parts. All models have the same quantity of parts and hardware. Your model may look different from the one illustrated due to stylistic variations.**



**1** 1A - Attach one post bracket **M** to each mid-section of front and rear left legs **E & N** and right leg **F & O**. Use three 5/8" wood screws **H** for each post bracket **M**.

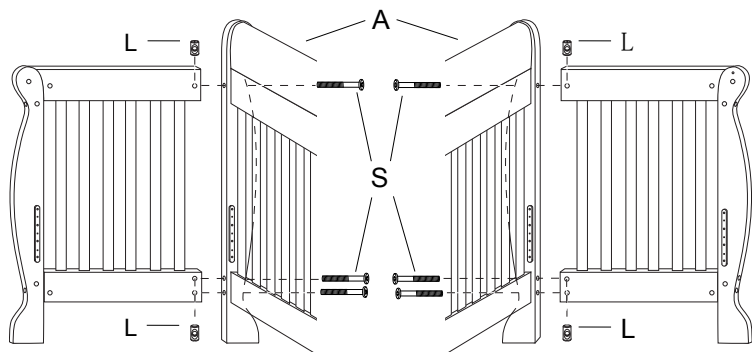
1B - The headboard assembly consists of rear left leg **N**, and rear right leg **O**, headboard side **A**, and cross bar **P**.





**2** Attach left leg **E** to left side **C** using 2 machine bolts **S** and 2 barrel nuts **L** .

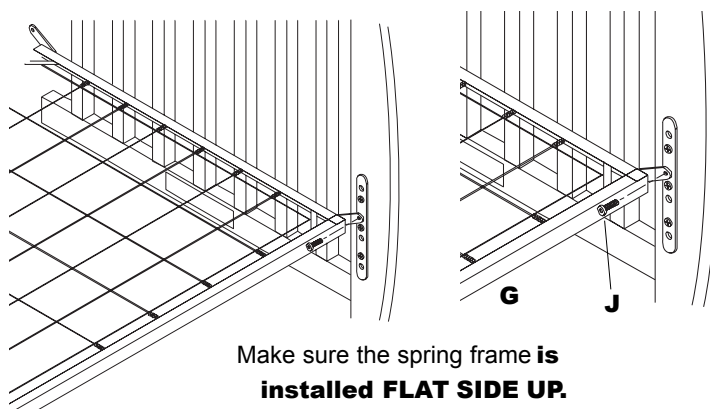
Attach right leg **F** to left side **D** using 2 machine bolts **S** and 2 barrel nuts **L** .



**3** Attach the completed left and right sides to the headboard **A** using 2 machine bolts **S** and 2 barrel nuts **L** for each headboard.

**NOTE: TO ENSURE CORRECT HOLE ALIGNMENT, DO NOT TIGHTEN UNTIL BOTH BOLTS ARE ATTACHED**

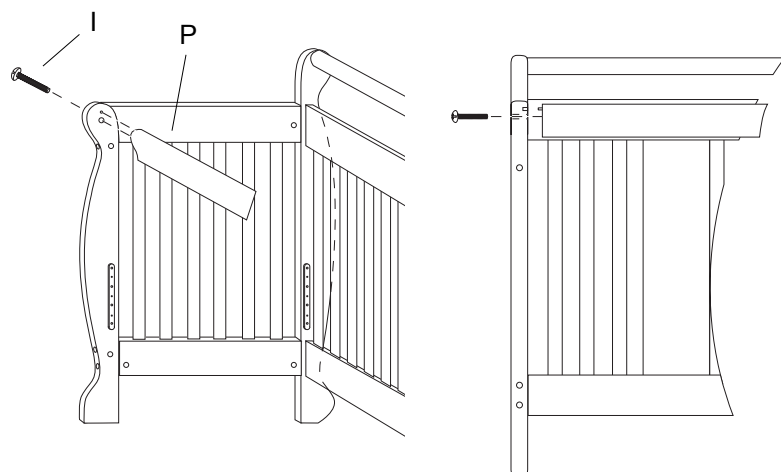
Make sure the sides are installed correctly with the metal post brackets facing towards the inside of the crib.



**4** Swing out four hangers at corner of the spring frame **G** carefully. Attach spring frame **FLAT SIDE UP**. Choose the height of the spring frame. Start at the highest level and adjust accordingly.

Bolt the spring frame **G** to the brackets using allen head bolts **J** and allen wrench **Q**. As the child grows, it is important to lower the spring.

Make sure the spring frame is level.



**5** Attach cross bar **P** to the left and right side with 2 machine bolts **I** . Make sure to insert the cross bar dowel into the correct hole on the left and right legs before inserting the machine bolts.

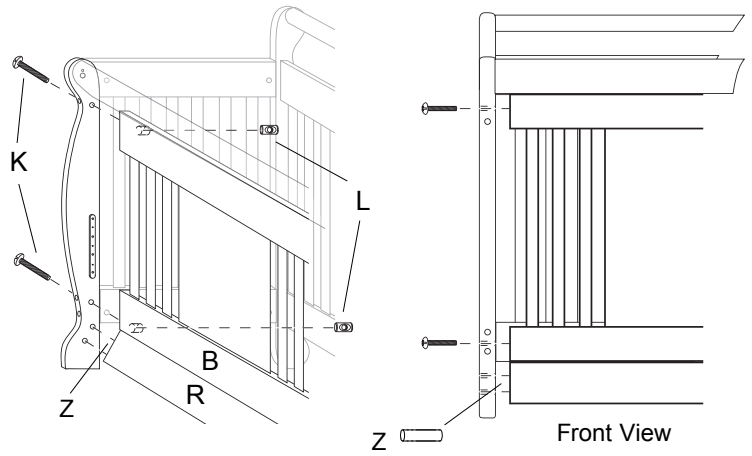
Do not tighten the screws as you will need to install the stationary side.

Front View

- 6** Attach stationary side **B** and the bottom front panel **R** to the left and right sides with 4 machine bolts **K** and 4 barrel nuts **L** and 4 shelf pins **Z**.

**Be sure to tighten the cross bar screws now that you have installed the stationary side.**

Recheck all screws and bolts to be sure they are fastened securely. **Do not overtighten.**



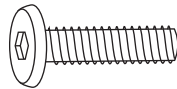
Before placing your mattress in the crib, you can make your own mattress protector by cutting the cardboard packing insert into a 27"x51" board and placing it on the spring frame under the mattress. This will extend the life of your mattress and provide additional support.

**Before using your crib, please read all cautionary statements on the insert sheet.**

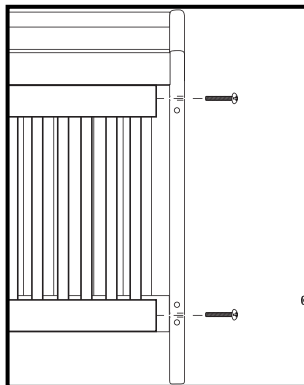
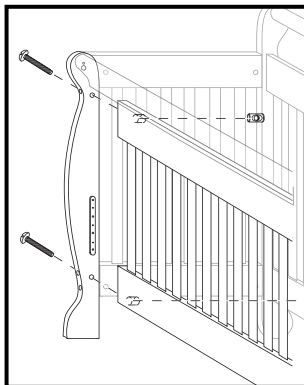
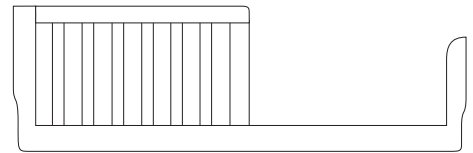
**KEEP THIS MANUAL INSIDE THE PLASTIC BAG (N) AND NYLON TIES PROVIDED AND TIE IT PERMANENTLY TO THE MATTRESS SUPPORT FOR FUTURE REFERENCE.**

## TODDLER BED ASSEMBLY

**W** 4 x 1 1/2" Allenhead bolts



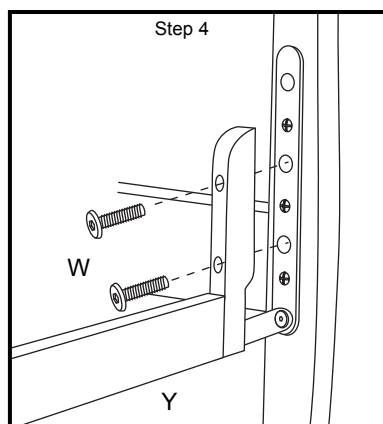
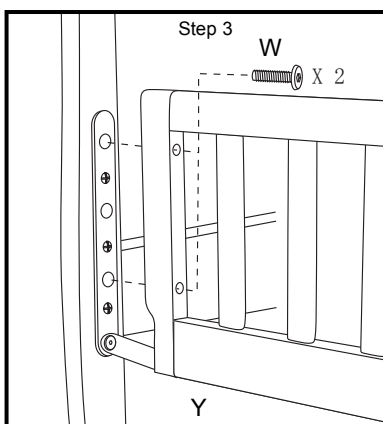
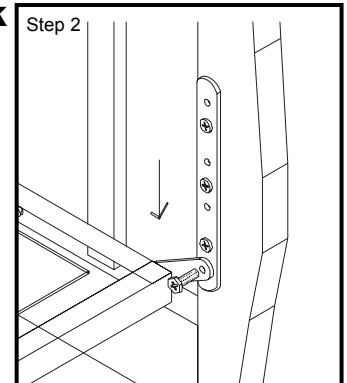
**Y** Guard rail



- 1** Unscrew the 6 machine bolts **K** and barrel nuts **L** and remove the cross bar **P** and stationary side **B**.



- 2** Next, move the spring frame **G** to the lowest level.



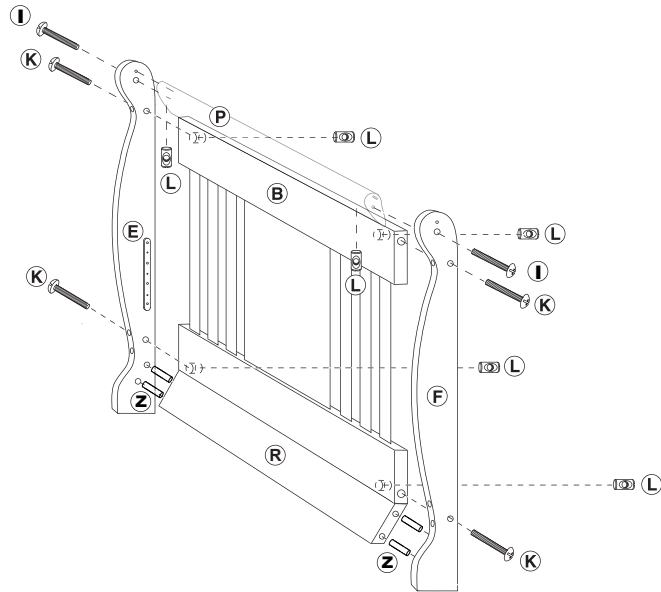
- 3** Attach guard rail **Y** to each post bracket on the drop side with 2 allen head bolts **W**.

The guard rail illustrated here is installed with the high end on the left side. It can be reversed with the high end on the right.

- 4** Attach the other two 2 allen head bolts **W** to the other side of the guard rail.

Recheck all screws and bolts to be sure they are fastened securely. **Do not overtighten**

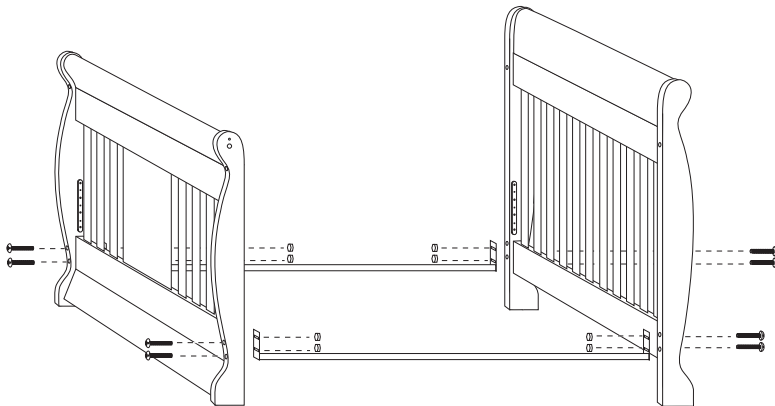
# FULL SIZE CONUERSION ASSEMBLY



**1** The footboard assembly consists of left leg **E**, right leg **F**, stationary side **B**, and cross bar **P**.

Use 2 machine bolts **K** and 2 barrel nuts to attach left leg **E** to stationary side **B** and cross bar **P**.

Complete the assembly by attaching right leg to stationary side **B** and cross bar **P** using 2 machine bolts **K** and 2 barrel nuts.



**2** Attach the headboard and footboard assembly with the full size rail conversion kit (sold separately). Attach the rails using 8 machine bolts and 8 nuts provided.

Matching wooden full size rail are also available. Ask your store for more info.

WE WILL ASK YOU FOR YOUR SERIAL NUMBER FOR ALL WARRANTY AND REPLACEMENT PART REQUESTS. KEEP THIS MANUAL INSIDE THE PLASTIC BAG ATTACHED TO THE MATTRESS SUPPORT FOR FUTURE REFERENCE.

Model Number: _____	Store Purchased From: _____
Serial Number: _____	Date of Purchase: _____
	Wood Finish: _____

**Please read the Caution and Warning Statements insert before using your crib.**