

Sorelle

By Sorelle - A Division of C&T International, Inc.
46 Whelan Road, East Rutherford, NJ 07073 U.S.A.
Tel, 201/531 1919 Fax, 201/531 1920

READ ALL INSTRUCTIONS BEFORE USE OF THE CRADLE OR CHANGING PAD

WARNING

FALL HAZARD - TO HELP PREVENT FALLS, DO NOT USE THIS PRODUCT WHEN THE INFANT BEGINS TO PUSH UP ON HANDS AND KNEES OR REACHES A MAXIMUM WEIGHT OF 30LBS., WHICHEVER COMES FIRST. FAILURE TO FOLLOW THESE WARNINGS AND INSTRUCTIONS COULD RESULT IN SERIOUS INJURY OR DEATH.

- ◆ TO REDUCE THE RISK OF *SIDS*, PEDIATRICIANS RECOMMEND HEALTHY INFANTS BE PLACED ON THEIR BACKS TO SLEEP, UNLESS OTHERWISE ADVISED BY YOUR PHYSICIAN.
- ◆ KEEP INSTRUCTIONS FOR FUTURE USE.
- ◆ USE ONLY THE PAD PROVIDED BY THE MANUFACTURER.
- ◆ ALWAYS PLACE THE CRADLE ON A FLAT, HORIZONTAL FLOOR.
- ◆ BE AWARE OF THE RISK OF OPEN FIRES AND OTHER SOURCES OF STRONG HEAT, SUCH AS ELECTRIC BAR FIRES, GAS FIRES, ETC. IN THE NEAR VICINITY OF THE CRADLE.
- ◆ YOUNG CHILDREN SHOULD NOT BE ALLOWED TO PLAY UNSUPERVISED IN THE VICINITY OF THE CRADLE.
- ◆ DO NOT USE THE BODY OF THE CRADLE WITHOUT ITS FRAME
- ◆ DO NOT USE THE CRADLE IF IT IS DAMAGED OR BROKEN. ASK YOUR DEALER OR CONTACT MANUFACTURER FOR REPLACEMENT PARTS AND INSTRUCTIONAL LITERATURE IF NEEDED
- ◆ DO NOT SUBSTITUTE PARTS
- ◆ IF REFINISHING, USE A NON-TOXIC FINISH SPECIFIED FOR CHILDREN'S PRODUCTS.
- ◆ CHECK FASTENERS PERIODICALLY, DO NOT OVER TIGHTEN. THIS MAY CAUSE DISTORTION OR BREAKAGE.
- ◆ RECOMMENDED MATTRESS SIZE, 900 X 470 X 25MM (PROVIDED).

WARNING

THE CRADLE SHOULD BE LOCKED IN THE FIXED POSITION WHEN LEAVING A INFANT UNSUPERVISED IN IT.

SUFFOCATION HAZARD **INFANTS CAN SUFFOCATE:**

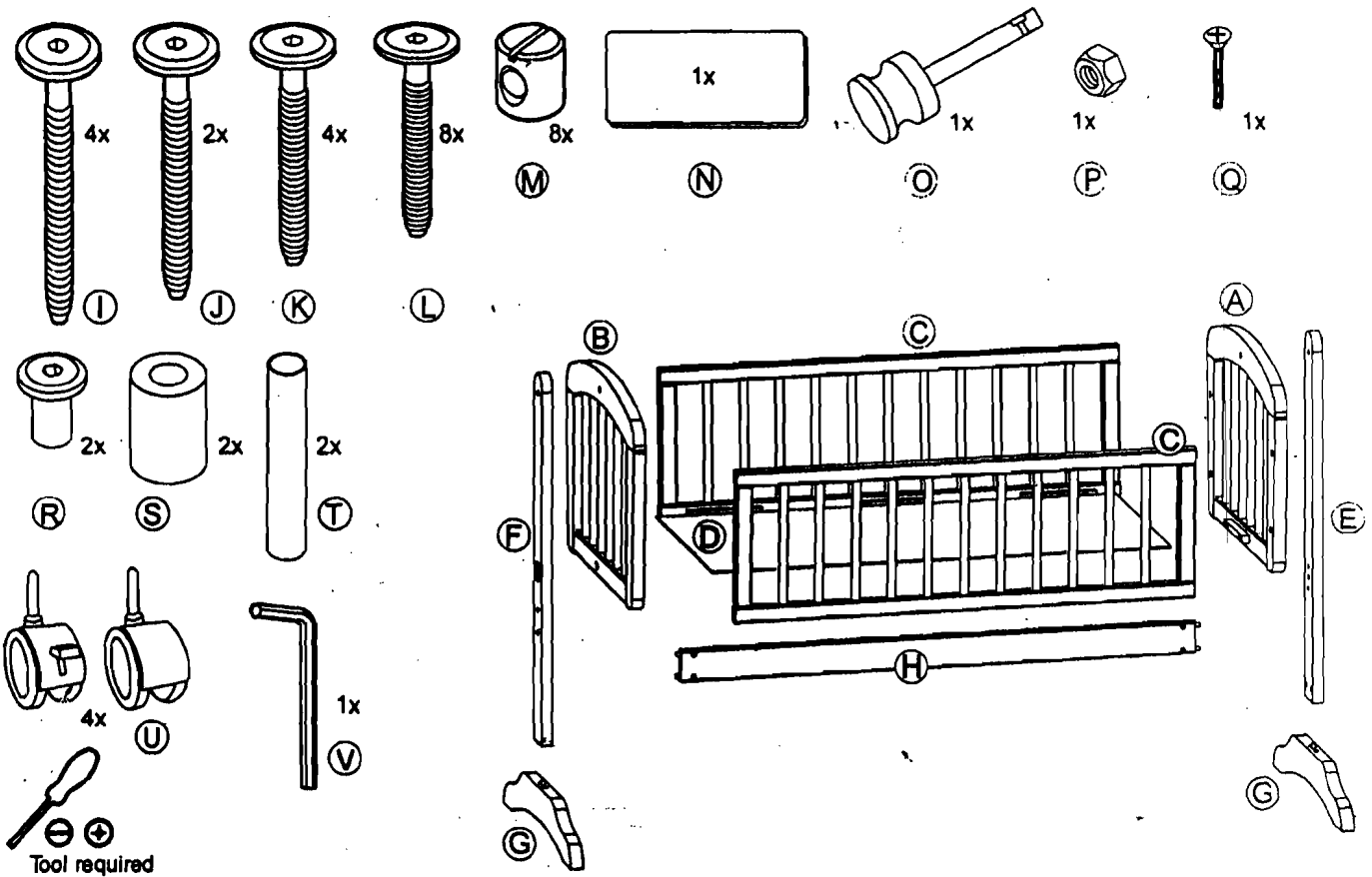
IN GAPS BETWEEN AN EXTRA PAD AND SIDE OF THE CRADLE, ON SOFT BEDDING. **NEVER** ADD A MATTRESS, PILLOW, COMFORTER, OR PAD, USE ONLY THE ONE PROVIDED BY THE MANUFACTURER OR ONE SPECIFICALLY DESIGNED TO FIT THE DIMENSION OF THE CRADLE MATTRESS

WHEN CHILD REACHES A MAXIMUM WEIGHT OF 30 LBS., THE CRADLE SHALL NO LONGER BE USED

ASSEMBLY INSTRUCTIONS

PARTS LIST

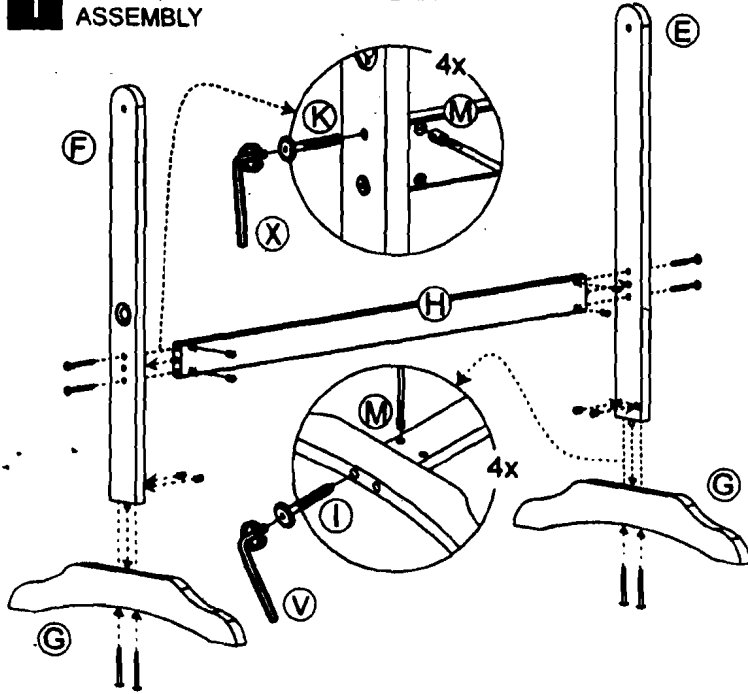
| No. | Qty | Description |
|-----|-----|--|
| A | 1 | Right Headboard |
| B | 1 | Left Headboard |
| C | 2 | Side Frames |
| D | 1 | Mattress Support |
| E | 1 | Right Post |
| F | 1 | Left Post (Locking End) |
| G | 2 | Feet |
| H | 1 | Cross Bar |
| I | 4 | 76mm (3 ") Bolts (12mm Head) |
| J | 2 | 70mm (2 3/4 ") Bolts (15mm Head) |
| K | 8 | 57mm (2 1/4") Bolts (15mm Head) |
| L | 8 | 45mm (1 3/4") Bolts (12mm Head) |
| M | 8 | Barrel Nuts |
| N | 1 | Changing Pad |
| O | 1 | Swing Lock |
| P | 1 | Nuts |
| Q | 1 | Screw |
| R | 2 | Mushroom Nuts |
| S | 2 | Plastic Spacers |
| T | 2 | Metal Sleeves |
| U | 4 | Casters (2 - Safety Locking Mechanism) |
| V | 1 | Allen Key |



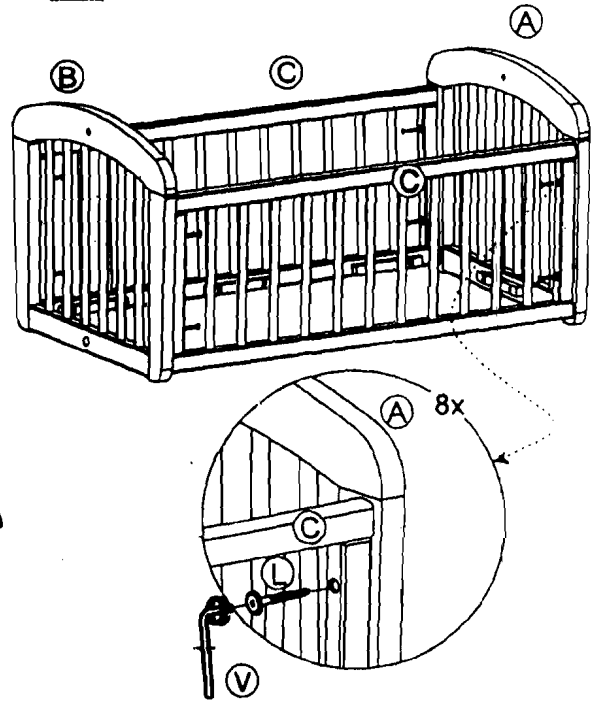
Important: In order to properly assemble the cradle, carry out the operations in order specified. Failure to assemble the changing table in the manner recommended could make the changing table hazardous

ASSEMBLY INSTRUCTIONS

1 POSTS, FEET AND CROSS BAR ASSEMBLY

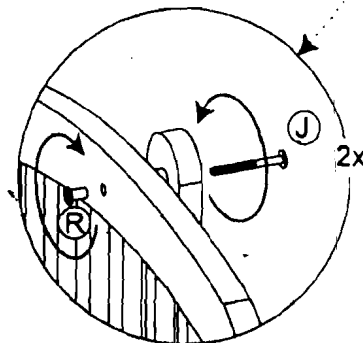
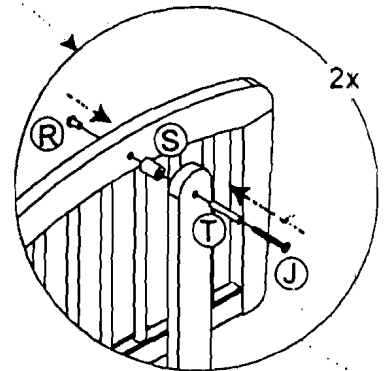
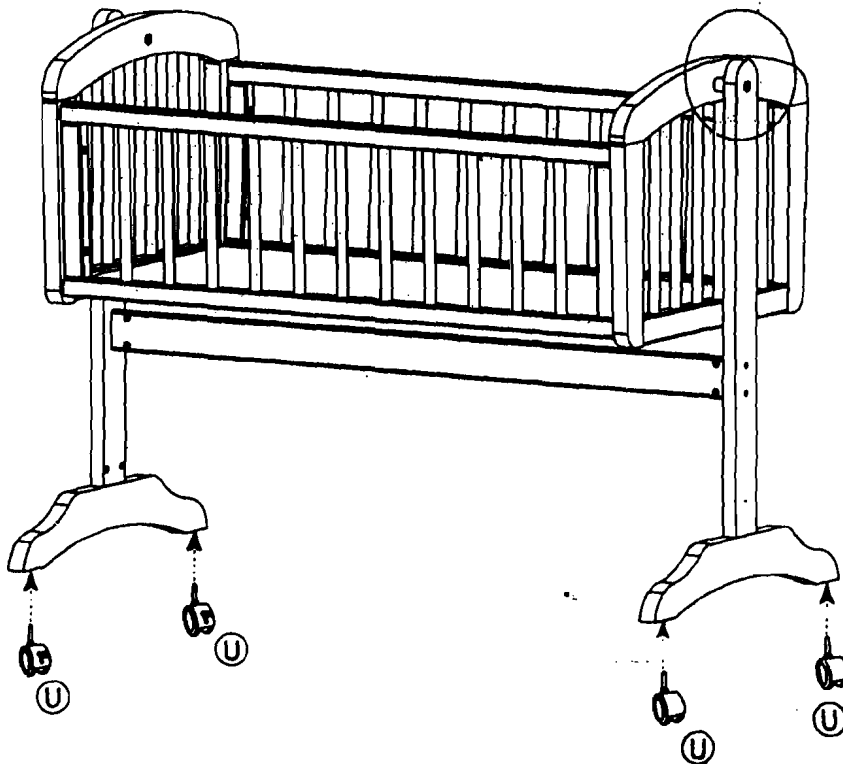


2 HEADBOARDS AND SIDE FRAMES ASSEMBLY

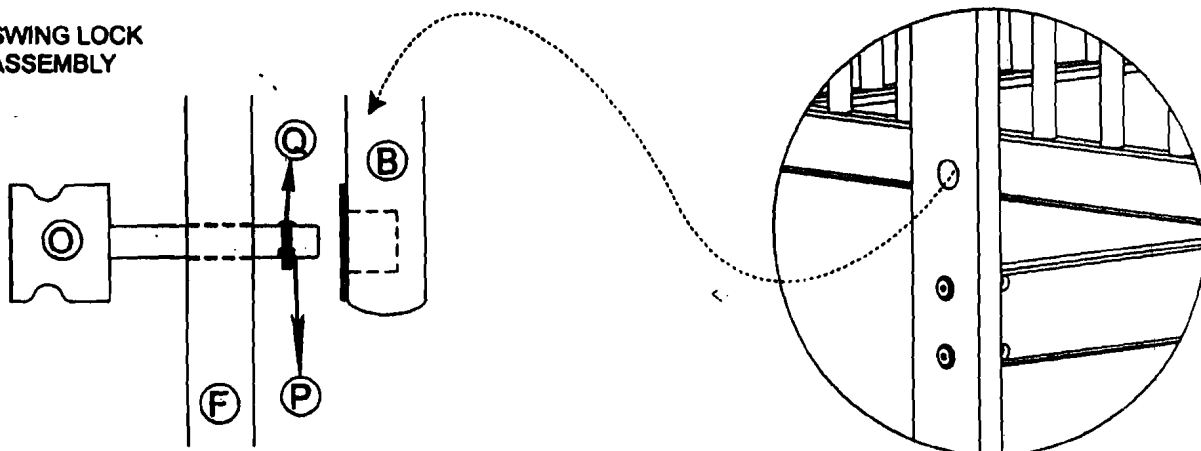


3 ATTACH THE CRADLE TO THE STAND
ATTACH THE CASTERS

NOTE, ensure left headboard with stop hole lines up with left post that has the hole for stop mechanism.

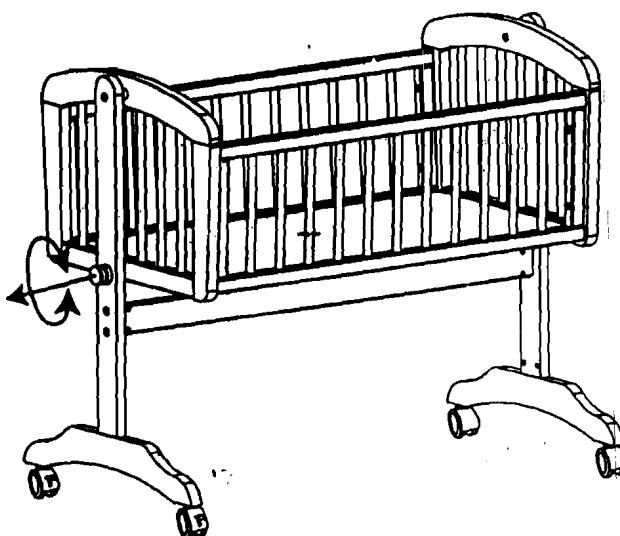


ASSEMBLY INSTRUCTIONS

4 SWING LOCK ASSEMBLY**5** PLACE THE MATTRESS SUPPORT (PART "D") ON TOP OF THE FOUR LIPS OF WOOD
Place changing pad on top of mattress support**6** SWINGING THE CRADLE

To allow the cradle to swing, pull the knob out of the swing lock, and rotate the knob in either direction till the pin is able to release.

To prevent the cradle from swinging, reverse this procedure

**7** FINAL CHECK

- PRIOR TO USING THE CRADLE, ENSURE ALL BOLTS ARE TIGHTENED DO NOT OVER TIGHTEN
- ENSURE THAT THE MATTRESS IS THE RECOMMENDED SIZE.
- CRADLE IS NOW READY FOR USE.

8 CARE AND MAINTENANCE

- ALWAYS STORE THE CRADLE IN A CLEAN AND DRY PLACE.
- TO CLEAN YOUR CRADLE, USE A SOFT DAMP CLOTH WITH A SMALL AMOUNT OF MILD SOAP. WIPE IMMEDIATELY WITH A DRY CLOTH.
- DO NOT USE ABRASIVES OR DETERGENT ON CRADLE SURFACES.
- OCCASIONAL USE OF FURNITURE POLISH WILL MAINTAIN THE FINISH OF YOUR CRADLE.
- REGULARLY CHECK ALL SCREWS AND FITTINGS TO ENSURE THEY ARE TIGHT.
- THE IDEAL BALANCE IS TO MAINTAIN THE TEMPERATURE AROUND 21°C (70°F) AND THE RELATIVE HUMIDITY AT 40% TO PREVENT WARPING OR SPLITTING.