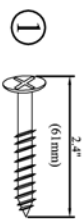


**▲WARNING:**

Small parts and sharp points may be present prior to assembly.

Care Instructions  
To clean your product, use mild soap and water on a damp cloth. Do not use window cleaners or cleaning abrasives as they will scratch the surface and could damage the protective coating.

**HARDWARES:**



16PCS



10PCS

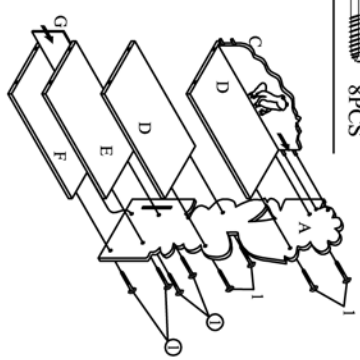
**PRODUCT PARTS:**

ITEM NO: KYW-7500A

A	B	C	D
1PC	1PC	1PC	2PCS
E	F	G	H
1PC	1PC	1PC	2PCS
I	J	K	L
2PCS	1PC	1PC	1PC
M			
1PC			

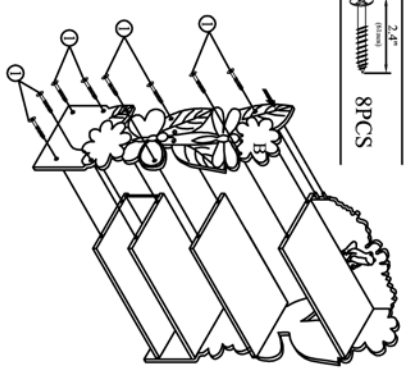
**STEP 1**

1  8PCS



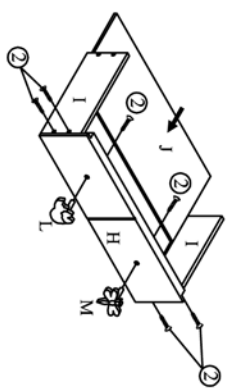
**STEP 2**

1  8PCS



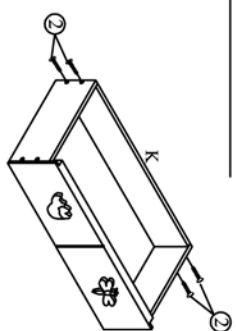
**STEP 3**

2  6PCS

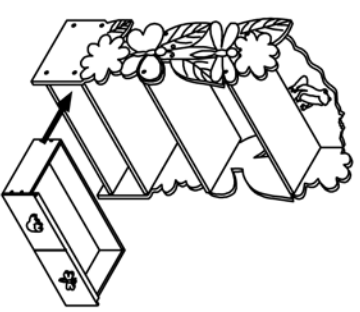


**STEP 4**

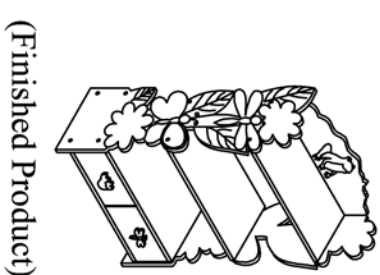
2  4PCS



**STEP 5**



**STEP 6**



(Finished Product)